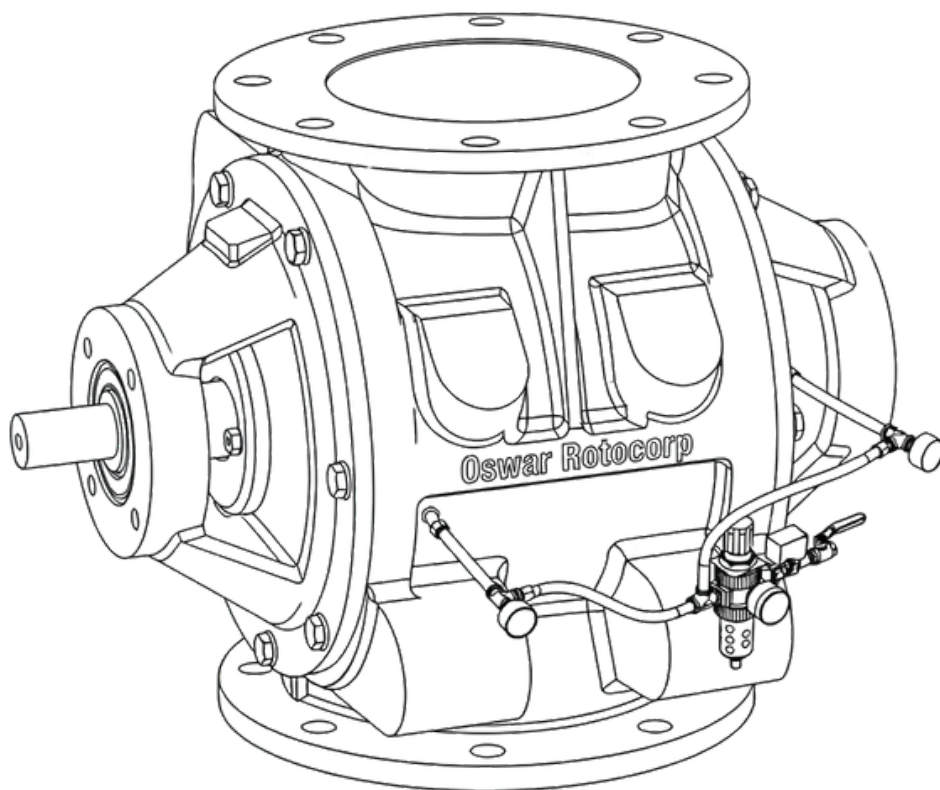



ROTARY VALVE

High Temperature Series



OSWAR
rotocorp



The RAL-HT High Temperature Series is specifically engineered to operate reliably in elevated thermal environments where standard rotary airlock valves may experience distortion, seal degradation, or premature wear.

Designed for kiln discharge systems, clinker handling, hot ash transfer, and high-temperature process points, the RAL-HT series incorporates thermal-resistant construction and enhanced sealing solutions to maintain airlock integrity under extreme heat conditions.

KEY FEATURES

THERMAL-
RESISTANT
CONSTRUCTION

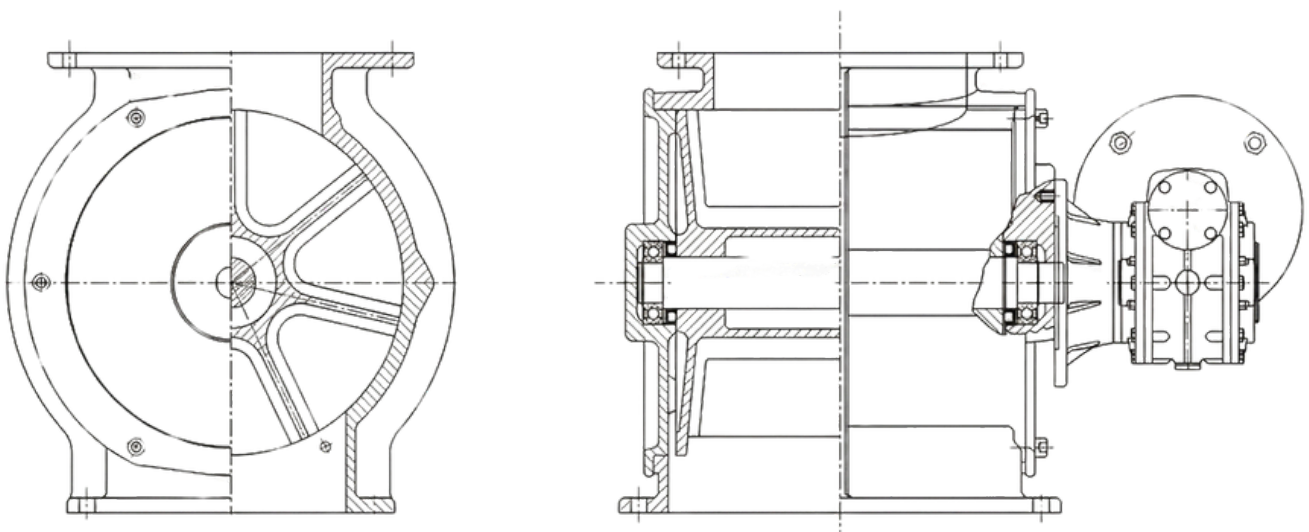
HIGH-
TEMPERATURE
SEALING SYSTEMS

STRUCTURAL
STABILITY UNDER
HEAT STRESS

EXTENDED
SERVICE LIFE IN
HOT
APPLICATIONS

ENGINEERED FOR THERMAL STABILITY & DURABILITY

The RAL-HT High Temperature Series is manufactured with heavy-section housings and rotor assemblies designed to accommodate thermal expansion while maintaining controlled clearances. Specialized high-temperature seals and insulation provisions protect critical components from heat transfer and material degradation. Advanced material selection and surface treatments enhance resistance to heat-induced wear and oxidation.



MANUFACTURING & QUALITY

- Heavy-duty CNC-machined housing
- Thermal-expansion optimized rotor design
- High-temperature sealing materials
- Heat-resistant surface treatment options
- Outboard bearing protection system

HIGH-TEMPERATURE PROCESS APPLICATIONS

Typical Applications:

- **Kiln & Clinker Discharge Systems**
- **Hot Ash Handling in Boilers**
- **Preheater & Calciner Discharge**
- **High-Temperature Cyclone Systems**
- **Furnace & Reactor Discharge Points**

Industries Served:

- **Cement Manufacturing**
- **Power Generation Plants**
- **Steel & Metallurgical Industries**
- **Lime Production**
- **Chemical Processing Facilities**



OSWAR

rotocorp

Corporate Office

Jaipur, Rajasthan India
Nagpur, Maharashtra India

Sales Inquiries

info@oswarrotocorp.com

Helpline

[+44 7917 128505](tel:+447917128505) | [+91 77422 36474](tel:+917742236474)

Copyright © 2026 OSWAR ROTOCORP. All Rights Reserved. OSWAR® is a registered trademark of **OSWAR ROTOCORP**. This brochure makes no offers, representations or warranties (express or implied), and information and data contained in this brochure are for general reference only and may change at any time.